

21% EFFICIENCY

SunPower® X21 solar panels are powered by third generation SunPower® Maxeon® solar cell technology to maximize energy output and to provide improved performance in high heat and shade.

BOOSTING POWER OUTPUT

X-Series panels deliver more power and value by eliminating "Light Induced Degradation" to improve power output by 2-3% compared to typical solar panels.

BETTER SHADE PERFORMANCE

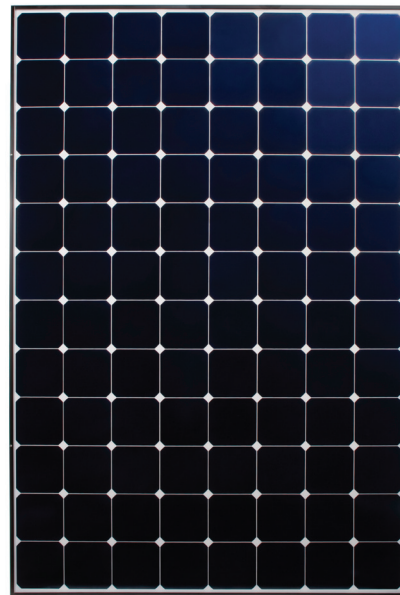
Maxeon Gen 3 technology enhances panel performance even when a shadow passes over it.

REDUCED INSTALLATION COST

More power per panel means fewer panels are required to achieve production targets. In turn, fewer rooftop/racking components and less wiring are needed, reducing both installation time and costs.

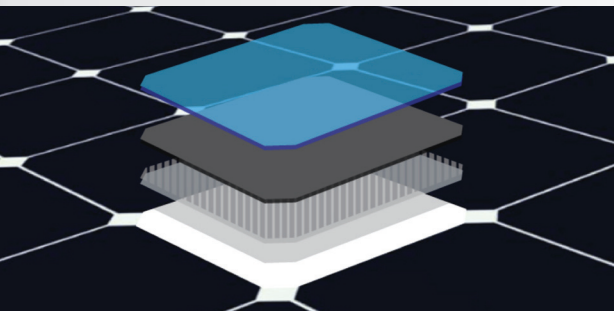
INDUSTRY-LEADING RELIABILITY

SunPower Maxeon Gen 3 cell technology combined with a robust panel design ensures industry-leading reliability.



THE WORLD'S STANDARD FOR SOLAR™

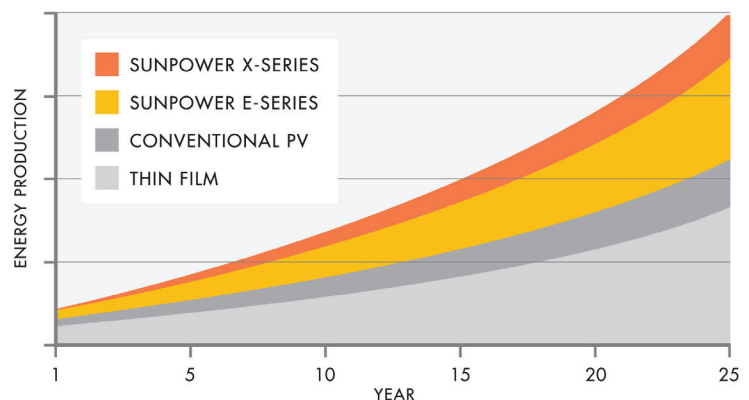
SunPower® X-Series solar panels offer industry-leading efficiency, performance, and aesthetics. Powered by third-generation SunPower® Maxeon® cell technology, the X21 solar panel provides an unparalleled solar efficiency of 21%, enabling extraordinary energy output and maximizing your return on investment. This premium solar panel also delivers enhanced performance in high-heat, low light, and shaded conditions. With an elegant all-black solar cell, the X21 offers superior aesthetics for any project.



MAXEON® CELL TECHNOLOGY

Patented all back contact solar cell provides industry highest efficiency (up to 24%) and reliability

THE SUNPOWER ENERGY ADVANTAGE



sunpowercorp.com



MODEL: SPR-343J-WHT-D

ELECTRICAL DATA

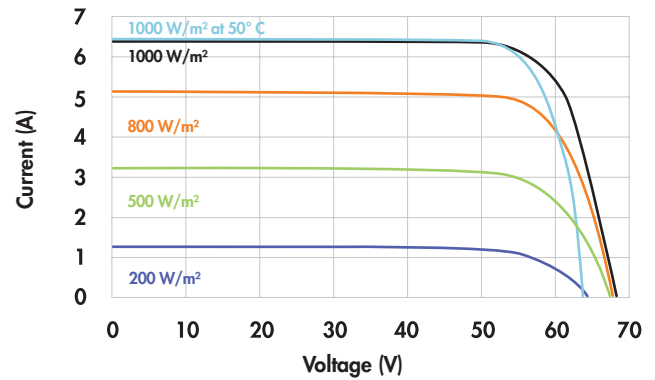
Measured at Standard Test Conditions (STC): irradiance of 1000W/m², AM 1.5, and cell temperature 25° C

Peak Power (+5/-3%)	P _{max}	343 W
Cell Efficiency	η	23.6 %
Panel Efficiency	η	21.0 %
Rated Voltage	V _{mpp}	57.3 V
Rated Current	I _{mpp}	5.99 A
Open Circuit Voltage	V _{oc}	68.1 V
Short Circuit Current	I _{sc}	6.37 A
Maximum System Voltage	UL	600 V
	IEC	1000 V
Temperature Coefficients	Power (P)	- 0.36 %/K
	Voltage (V _{oc})	-167.4 mV/K
	Current (I _{sc})	3.5 mA/K
NOCT		45° C +/- 2° C
Series Fuse Rating		20 A

MECHANICAL DATA

Solar Cells	96 SunPower 3rd generation Maxeon® cells
Front Glass	High-transmission tempered glass with anti-reflective (AR) coating
Junction Box	IP-65 rated with 3 bypass diodes
Output Cables	1000 mm cables / MC4 compatible connectors
Frame	Anodized aluminum alloy type 6063 (black)
Weight	41.0 lbs (18.6 kg)

I-V CURVE



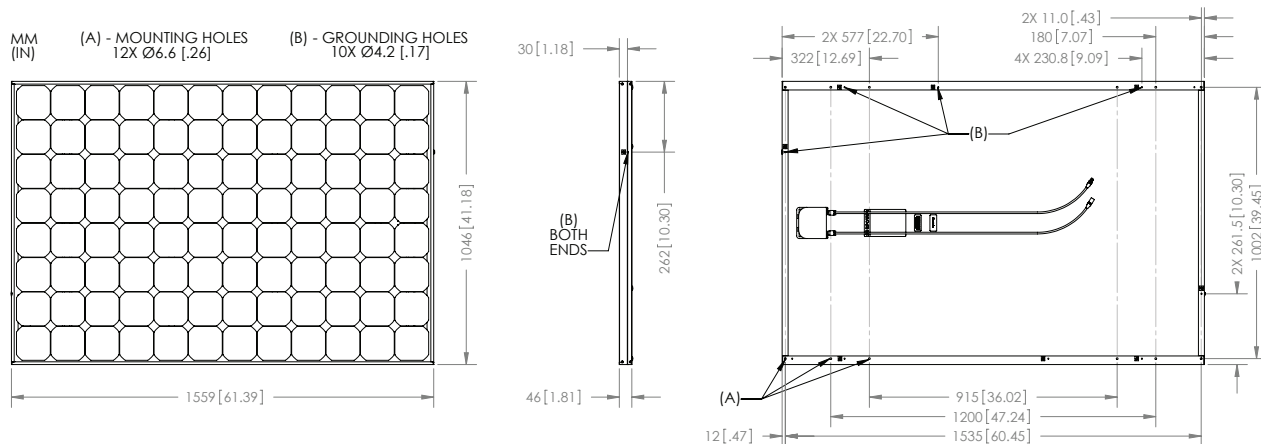
TESTED OPERATING CONDITIONS

Temperature	- 40° F to +185° F (- 40° C to + 85° C)
Max load	113 psf 550 kg/m ² (5400 Pa), front (e.g. snow) w/specified mounting configurations 50 psf 245 kg/m ² (2400 Pa) front and back (e.g. wind)
Impact Resistance	Hail: (25 mm) at 51 mph (23 m/s)

WARRANTIES AND CERTIFICATIONS

Warranties	25-year linear power warranty 25-year limited product warranty
Certifications	Tested to UL 1703. Class C Fire Rating IEC 61215 Ed. 2, IEC 61730 (SCII)

DIMENSIONS



Please read safety and installation instructions before using this product, visit sunpowercorp.com for more details.